

Hinges

ASSA ABLOY

The global leader in  
door opening solutions

# ASSA ABLOY Door Hinges

## Features & Benefits

### Door Hinges

#### Key features:

- Standard Imperial hole pattern
- Available grade SS 304
- Fire rated
- 200,000 cycles tested
- Compliant to BS EN 1935

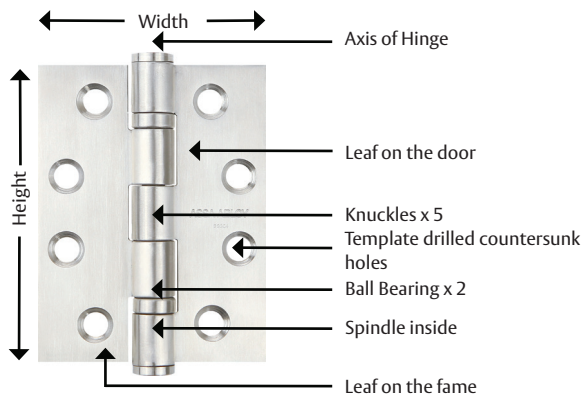
#### Benefits:

- Suitable for Interior and Exterior doors (Wooden & Metal)
- High corrosion resistance
- Suitable for fire rated doors
- High durability
- Friction resistance



#### Technical details:

- Manufactured from high grade stainless steel
- Easily seated pin that will not rise during normal use
- Available hinges -
  1. Ball Bearing hinge
  2. Lift Off hinge
  3. Concealed hinge
- ASSA ABLOY hinges are suitable for high traffic doors and commercial applications
- Suitable for door weight up to 120 kg



**\*Note:** Some of the abovementioned features may not be applicable for all models of hinges.  
CE Marking and Fire Rating is applicable for only Stainless Steel SS 304 Grade Ball Bearing hinges.

## Ball Bearing Hinges Specifications

### Application:

There are a few variables which must be considered and guidelines to be observed, in order to determine hinge selection for individual doors. It is recommended that the guidelines contained in this catalogue are followed. When reading dimensions, the first figure always indicates the height and the second indicates the width and the third indicates the thickness.  
e.g. 102mm x 76mm x 3mm

### Hinge height:

The appropriate hinge height for any job is dependent upon the door width, thickness and weight. The height of the hinge is the length of the flap, not including the tips of the pin, as shown in the below diagram.

### Number of hinges per door:

The following quantity of hinges are recommended for the given door heights

- Two hinges - Up to 1514mm
- Three hinges - 1514mm - 2286mm
- Four hinges - 2286mm - 3048mm

### Note:

- For each additional 762mm (30") add one hinge.

### Fixing screws:

Each butt hinge is supplied with the appropriate sized wood screws. Metal door screws are optional

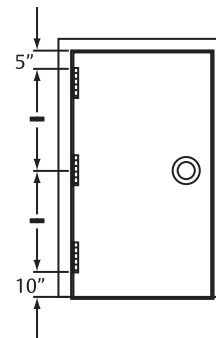
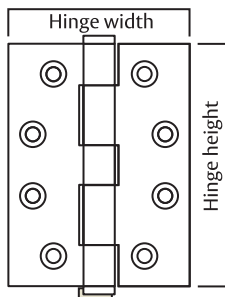
- 8 Gauge screws for 76mm width hinges
- 10 Gauge screws for 102mm and greater width hinges

### Hinge width:

The door thickness and door jamb width (also trim size if applicable) determine the width of the hinge required. The width is measured across the leaves when the hinge is fully opened as shown in the below diagram.

### Finishes:

Satin Stainless Steel - SSS



# Door Hinges - Fire Rated

## Ball Bearing Hinges

**Model no.:** AH2BB-01, AH2BB-02, AH2BB-03  
AH2BB-04, AH2BB-05, AH2BB-07

### Description:

AH2BB-01 (102 x 76 x 2.5) - 2 Ball Bearing Button Tipped SS 304

AH2BB-02 (102 x 76 x 3.0) - 2 Ball Bearing Button Tipped SS 304

AH2BB-03 (127 x 76 x 3.0) - 2 Ball Bearing Button Tipped SS 304

AH2BB-04 (127 x 89 x 3.0) - 2 Ball Bearing Button Tipped SS 304

AH2BB-05 (127 x 102 x 3.0) - 2 Ball Bearing Button Tipped SS 304

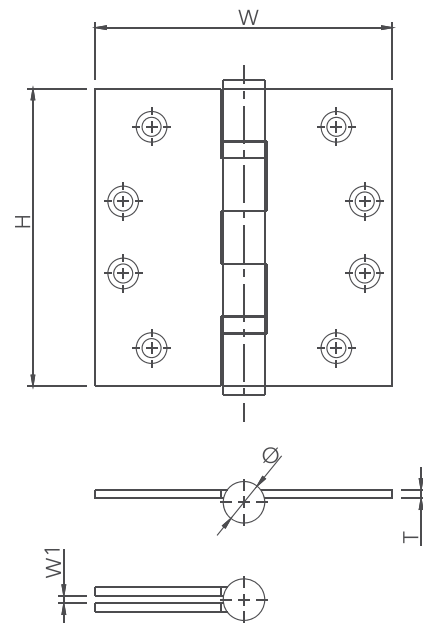
AH2BB-07 (102 x 102 x 3.0) - 2 Ball Bearing Button Tipped SS 304



## Product Information

### Hinge Size (mm):

Height	Width	Thickness	Grade
102	76	2.5	SS 304
102	76	3.0	SS 304
127	76	3.0	SS 304
127	89	3.0	SS 304
127	102	3.0	SS 304
102	102	3.0	SS 304



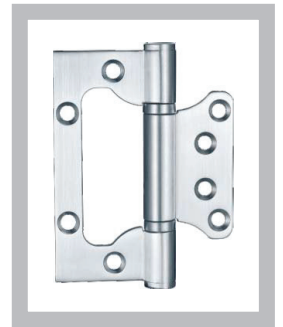
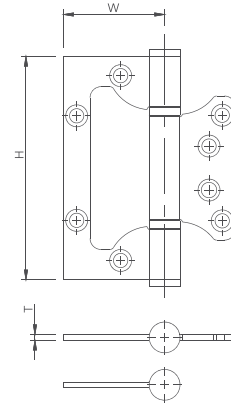
# Door Hinges - Special Application

## Flush Hinge

**Model No.:** AA-FH-01

**Description:** Stainless Steel Flush hinge

Model No.	L	W	T	Door Mass
AA-FH-01	101	79	2.5	40 kg

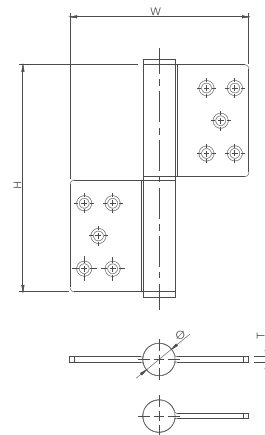


## Lift Off Hinge

**Model No.:** AA-LH-01, AA-LH-02

**Description:** Stainless Steel Lift off hinge

Model No.	L	W	T	Door Mass
AA-LH-01	100	88	3	40 kg
AA-LH-02	127	100	3	40 kg

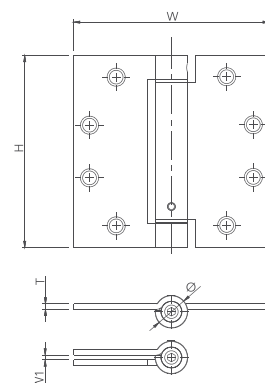


## Spring Hinge

**Model No.:** AA-SH-01, AA-SH-02

**Description:** Stainless Steel Single Action Spring hinge

Model No.	L	W	T	Door Mass
AA-SH-01	102	102	3	40 kg
AA-SH-02	102	76	3	40 kg



## 3D Adjustable Concealed Hinge

AA-3CH-01  
AA-3CH-02

**Model No.:** AA-3CH-01, AA-3CH-02

### Description:

- 3D adjustable concealed hinge
- Application: For wooden frames, for flush wooden interior doors
- Door thickness:  $\geq 35\text{mm}$ ; Opening angle:  $< 180^\circ$
- Door weight: AA-3CH-01-40 kg with 2 hinges, AA-3CH-02-60 kg with 2 hinges
- Door width: AA-3CH-01-  $\leq 900\text{mm}$ , AA-3CH-02-  $\leq 900\text{mm}$
- Adjustment feature: Continuously 3D Adjustable - height, side and closing pressure  $\pm 1\text{mm}$



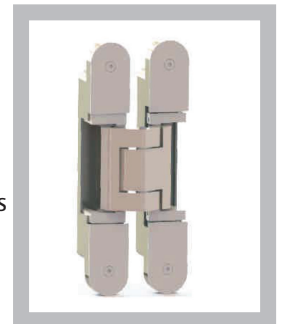
## 3D Adjustable Concealed Hinge

AA-3CH-03  
AA-3CH-04

**Model No.:** AA-3CH-03, AA-3CH-04

### Description:

- 3D adjustable concealed hinge
- Application: For wooden/steel/aluminium frames
- Door thickness:  $> 40\text{mm}$ ; Opening angle:  $< 180^\circ$
- Door weight: AA-3CH-03-80 kg with 2 hinges, AA-3CH-04-120 kg with 2 hinges
- Door width: AA-3CH-03-  $\leq 1000\text{mm}$ , AA-3CH-04-  $\leq 1000\text{mm}$
- Adjustment feature: AA-3CH-03- Continuously 3D adjustable height, side  $\pm 3.0\text{mm}$  and closing pressure  $\pm 1\text{mm}$ , AA-3CH-04- (side  $\pm 3.5\text{mm}$ )



## 3D Adjustable Concealed Hinge

### Instructions and Templates

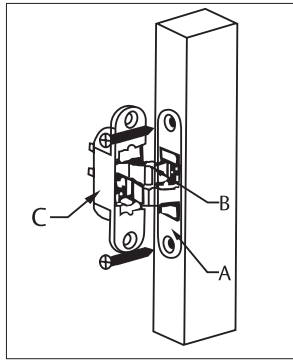
#### 3D Adjustable Concealed Hinge Fitting Instructions (for wooden door)

**Model no.:** AA-3CH-01

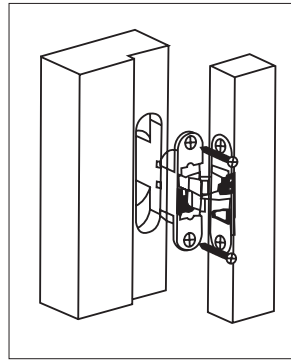
For non-rebated interior doors

Door weight ≤40 kg/2pc, door width ≤900mm, Door thickness ≥35mm

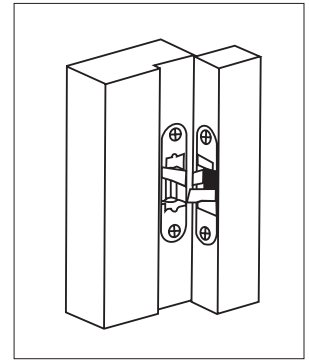
Installation



1. Install hinge on the door leaf, with adjusting hole B always up, hinge part A on door leaf & hinge part C on the door frame.

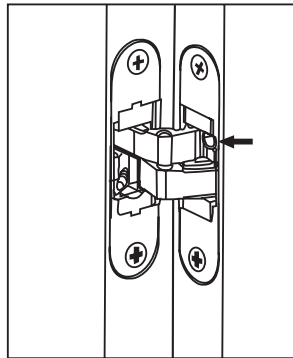


2. Install hinge on the door frame.

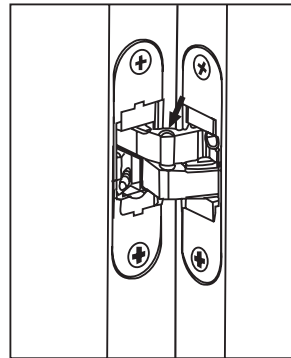


3. Stick the self-adhesive cover plates on the hinge after completion of adjustment.

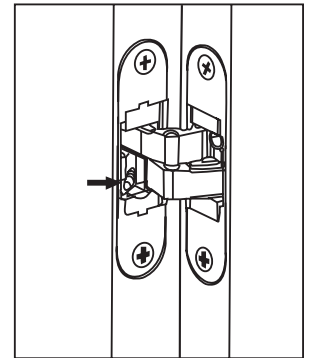
#### Hinge Adjustment



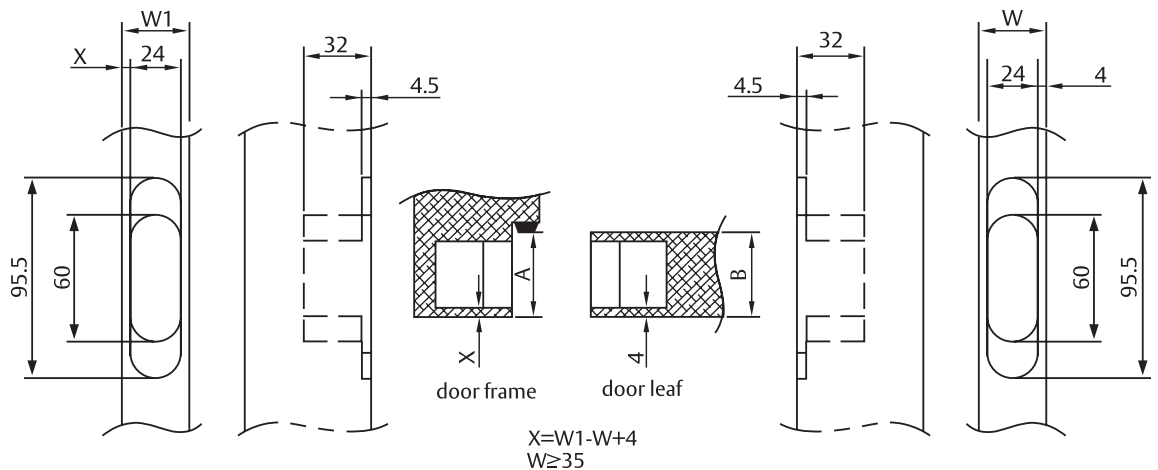
**Depth Adjustment:**  
Use an allen key to twist the screw (arrow marked).  
Depth adjustment: ±1.0mm



**Height Adjustment:**  
Use an allen key to twist the screw (arrow marked).  
Height adjustment: ±1.5mm



**Side Adjustment:**  
Use an allen key to twist the screw (arrow marked).  
Side adjustment: ±1.0mm



Template for door frame

Template for door frame



**3D Adjustable  
Concealed Hinge**

**Instructions and  
Templates**

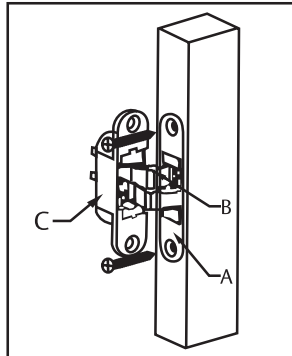
**3D Adjustable Concealed Hinge Fitting Instructions (for wooden door)**

**Model no.: AA-3CH-02**

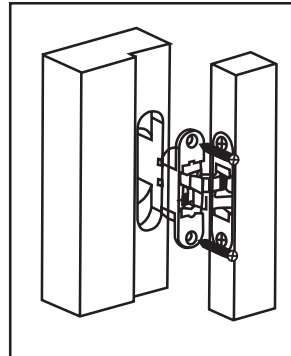
For non-rebated interior doors

Door weight ≤60 kg/2pc, door width ≤ 900mm, Door thickness ≥ 35mm

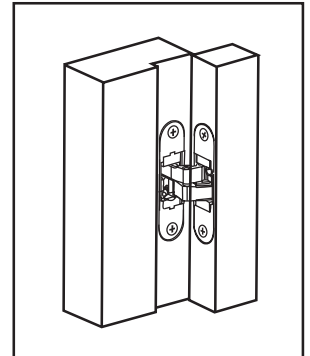
**Installation**



1. Install hinge on the door leaf, with adjusting hole B always up, hinge part A on door leaf & hinge part C on the door frame.

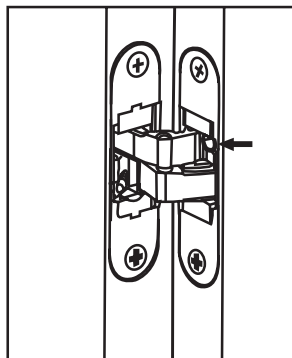


2. Install hinge on the door frame.

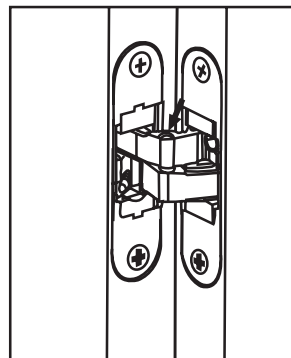


3. Stick the self-adhesive cover plates on the hinge after completion of adjustment.

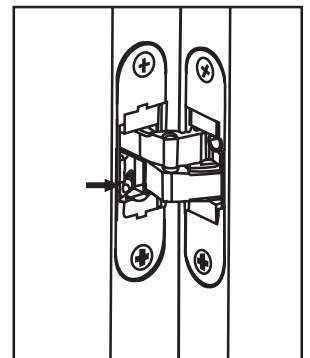
**Hinge Adjustment**



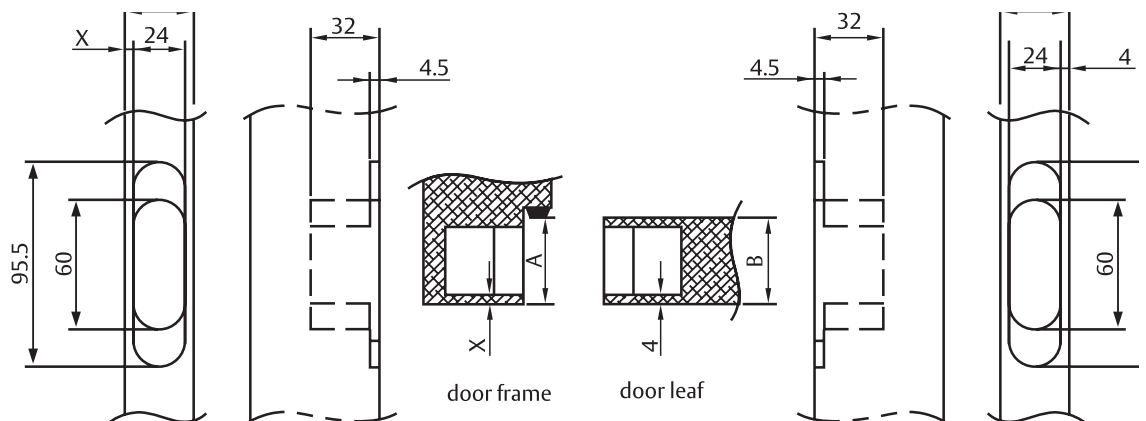
**Depth Adjustment:**  
Use an allen key to twist the screw (arrow marked).  
Depth adjustment: ±1.0mm



**Height Adjustment:**  
Use an allen key to twist the screw (arrow marked).  
Height adjustment: ±1.5mm



**Side Adjustment:**  
Use an allen key to twist the screw (arrow marked).  
Side adjustment: ±1.0mm



Template for door frame

$X=W1-W+4$   
 $W \geq 35$

Template for door frame



**3D Adjustable  
Concealed Hinge**

**Instructions and  
Templates**

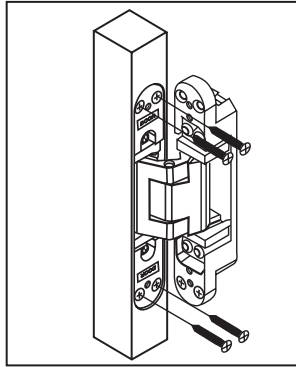
**3D Adjustable Concealed Hinge Fitting Instructions (for wooden door)**

**Model no.: AA-3CH-03**

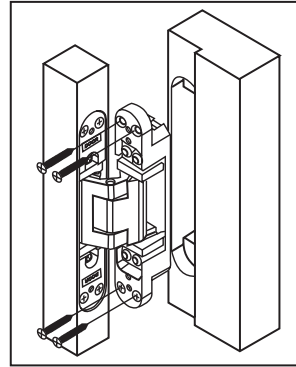
For non-rebated interior doors

Door weight ≤80 kg/2pc, door width ≤ 1000mm, Door thickness ≥ 40mm

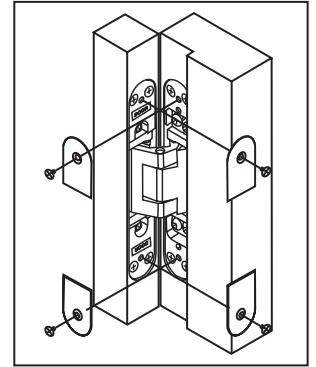
**Installation**



1. Install hinge on the door leaf, with hinge part stamping marked with "Door" on door leaf.

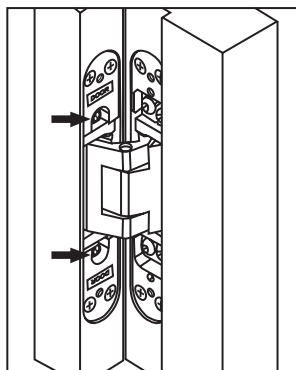


2. Install hinge on the door frame.

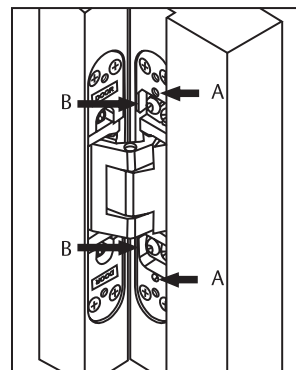


3. Fix cover plates on the hinge with screws after completion of adjustment.

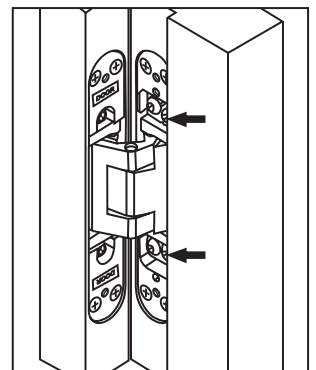
**Hinge Adjustment**



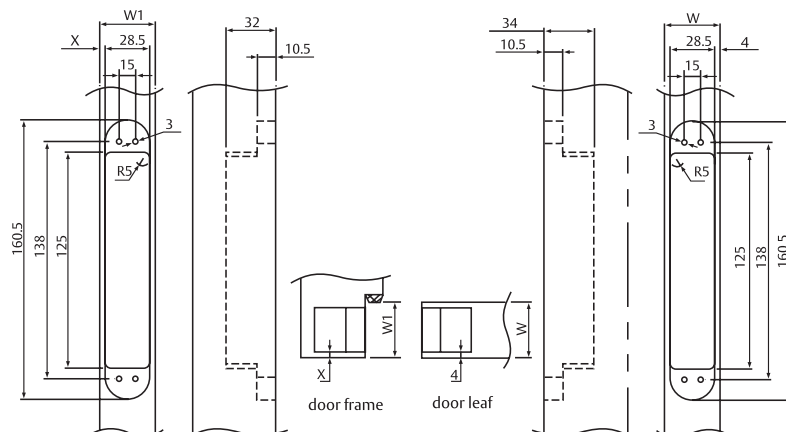
**Side Adjustment:**  
Use an allen key to twist the screw (arrow marked). Both the upper and the lower screws are requested to be adjusted in the same way.  
Side adjustment: ±2.5mm



**Height Adjustment:**  
Slightly loosen the grab screws (arrow marked with B.) Both the upper and lower screws (arrow marked with B) are requested to be adjusted and tightened in the same way. Retighten the grab screws (arrow marked with A)  
Height adjustment: ±2.5mm



**Depth Adjustment:**  
Use an allen key to twist the Both the upper and the lower screws are requested to be adjusted and tightened in the same way.  
Depth adjustment: ±1.0mm



$X=W1-W+4$   
 $W \geq 36$

**3D Adjustable Concealed Hinge**

**Instruction and Templates**

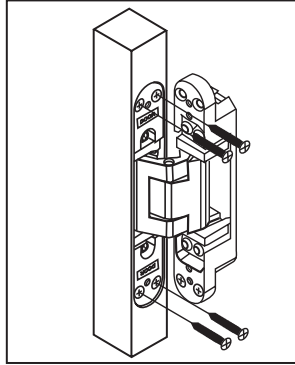
**3D Adjustable Concealed Hinge Fitting Instructions (for wooden door)**

**Model no.: AA-3CH-04**

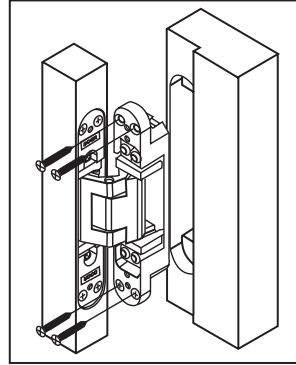
For non-rebated interior doors

Door weight ≤ 120 kg/2pc, door width ≤ 1000mm, Door thickness ≥ 40mm

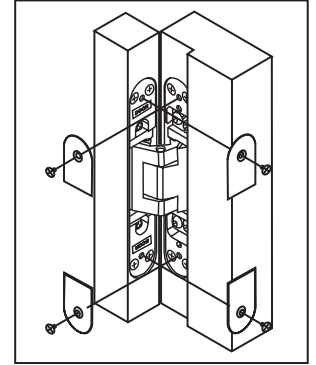
**Installation**



1. Install hinge on the door leaf, with hinge part stamping market with "Door" on door leaf.

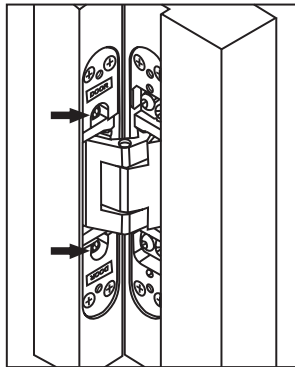


2. Install hinge on the door frame.

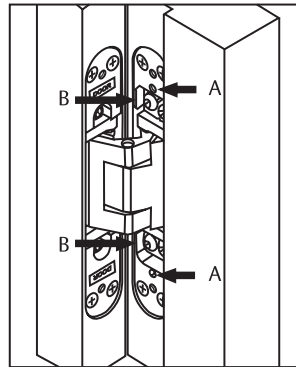


3. Fix cover plates on the hinge with screws after completion of adjustment.

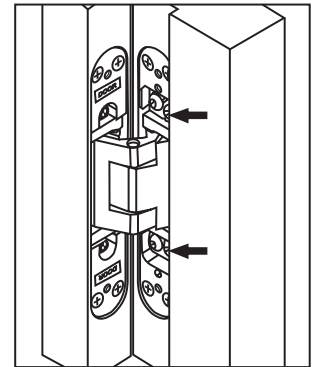
**Hinge Adjustment**



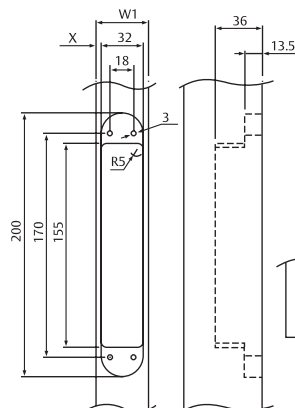
**Side Adjustment:**  
Use an allen key to twist the screw (arrow marked). Both the upper and lower screws are requested to be adjusted in the same way.  
Side adjustment: ±3.0mm



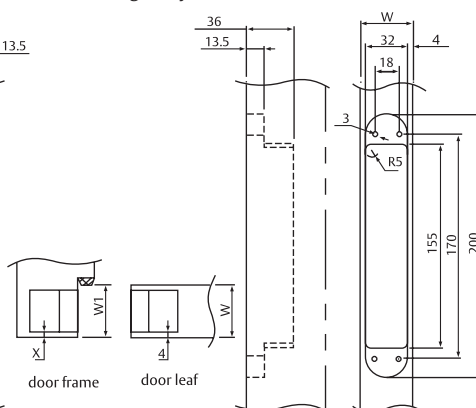
**Height Adjustment:**  
Slightly loosen the gap screws (arrow marked with A). Use an allen key to twist the screw (arrow marked with B). Both the upper and lower screws (arrow marked with B) are requested to be adjusted and tightened in the same way. Retighten the gap screws (arrow marked with A)  
Height adjustment: ±3.0mm



**Depth Adjustment:**  
Use an allen key to twist the screw (arrow marked). Both the upper and lower screws (arrow marked with B) are requested to be adjusted and tightened in the same way.  
Depth adjustment: ±1.0mm



**Template for door frame**



$X=W1-W+4$   
 $W \geq 40$

**Template for door frame**